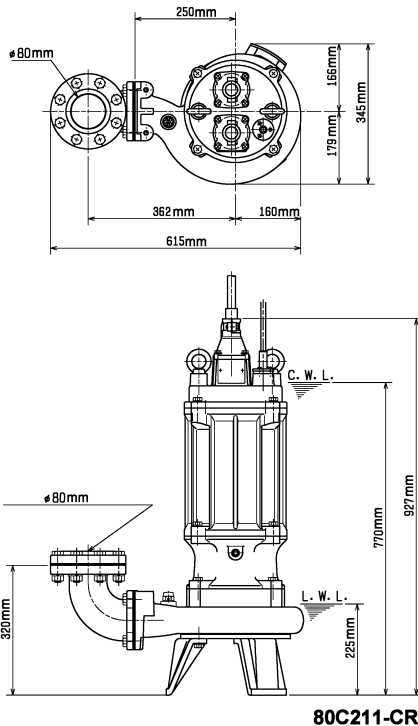
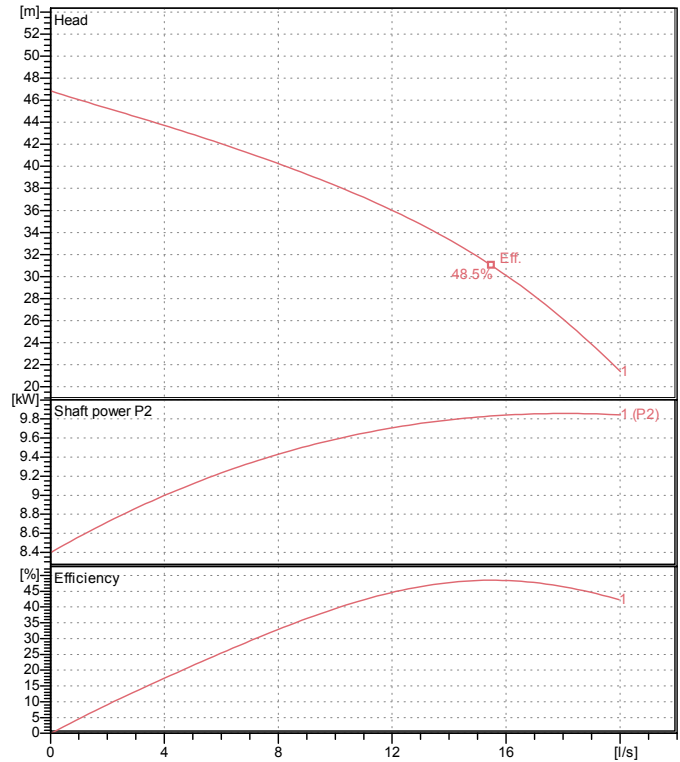


# Data sheet 80C211-CR-51



80C211-CR

CWL: Continuous running water level  
LWL: Lowest running water level



## Specification

Electric submersible pump  
Degree of protection IP 68  
Depth of submersion max. 30 m  
Type of impeller Dual channel impeller  
Free passage 25.5 mm  
Suitable for:  
sewage water and liquids carrying solids

## Electric motor

Dry-type submersible induction motor  
Insulation class F 2Poles 2935 1/min  
Starting mode Star-delta  
Rated voltage 400 V 50 Hz 3~  
Power uptake 14.40 kW  
Rated power 11.00 kW  
Rated current 23.7 A  
Start current 158.1 A

## Cable

10m H07RN-F 4Cx2,5mm<sup>2</sup>/H07RN-F 3Cx2,5mm<sup>2</sup>/2PNCT 2Cx1,25mm<sup>2</sup>

## Motor Protection

Circle thermal protector  
(snap-action bi-metal device)

## Shaft seal

Double inside mechanical seal in oil bath  
additional lubrication by oil lifting device  
Primary seal  
Silicon carbide on silicon carbide  
Secondary seal  
Silicon carbide on silicon carbide

## Bearings

Shielded ball bearings, maintenance-free

## Materials

Impeller  
Chromium Iron HiCrFC + Tungsten Carbide  
Pump casing FC200 (EN-GJL-200)  
Suction cover Chromium Iron HiCrFC  
Motor Frame FC200 (EN-GJL-200)  
Shaft Stainless steel SUS420J2

## Discharge size

3" (80mm) special screwed-in mating flange  
guide rail fitting optional

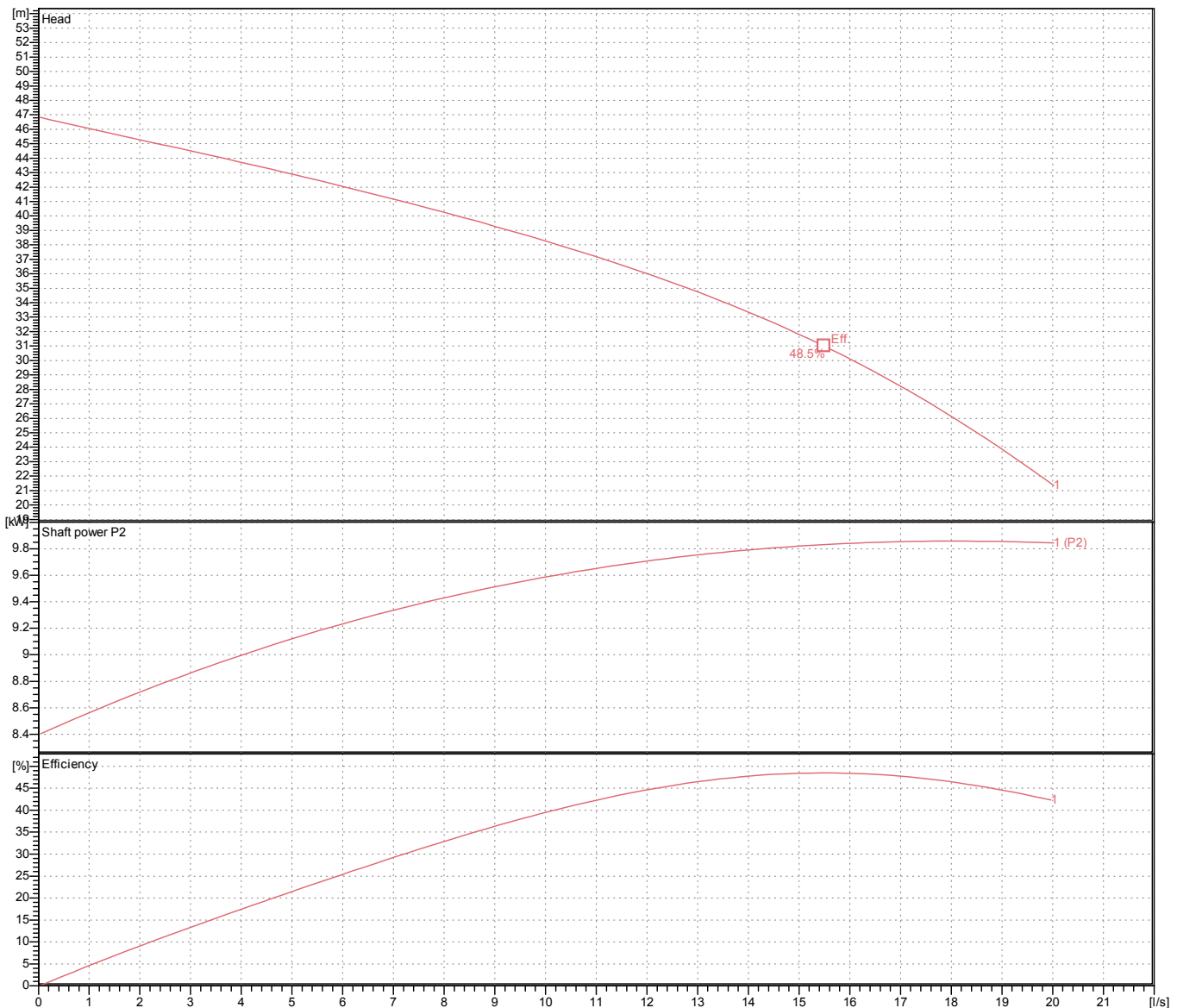
## Weight

156.5 kg (dry weight of the pump only without cable)

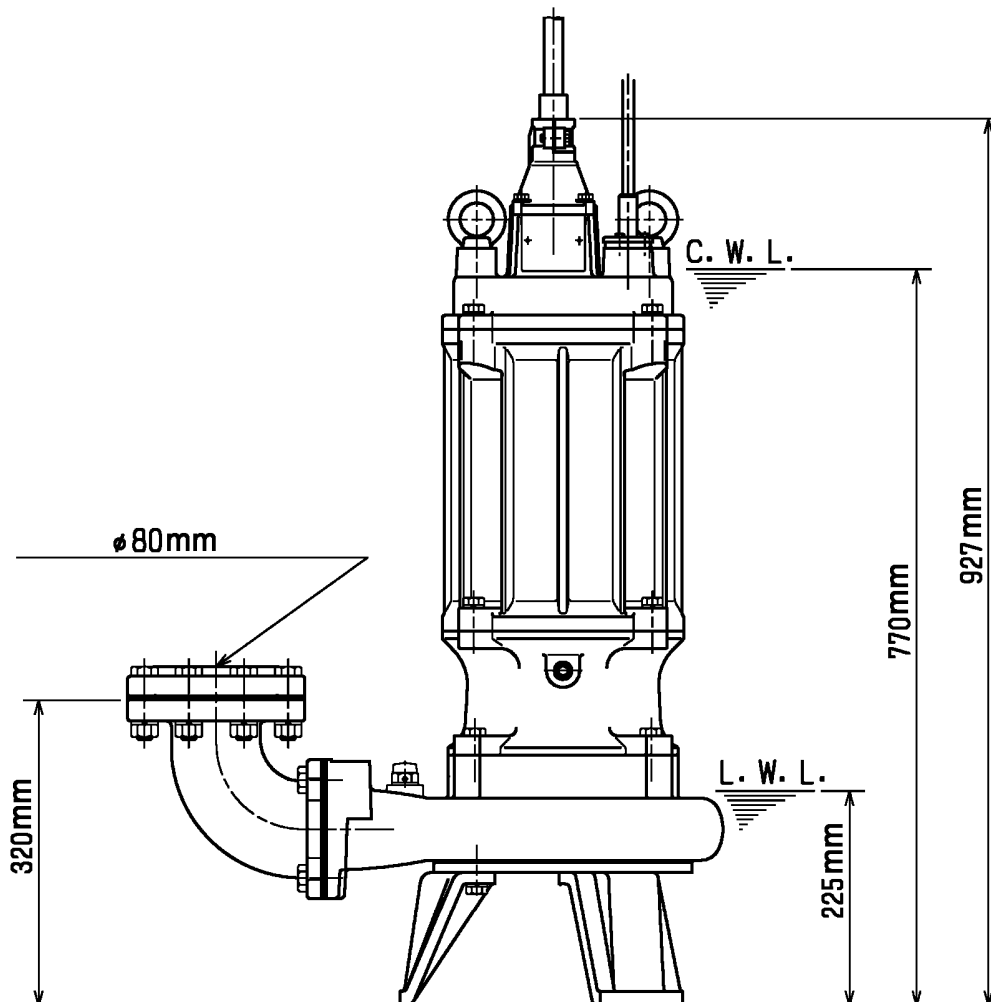
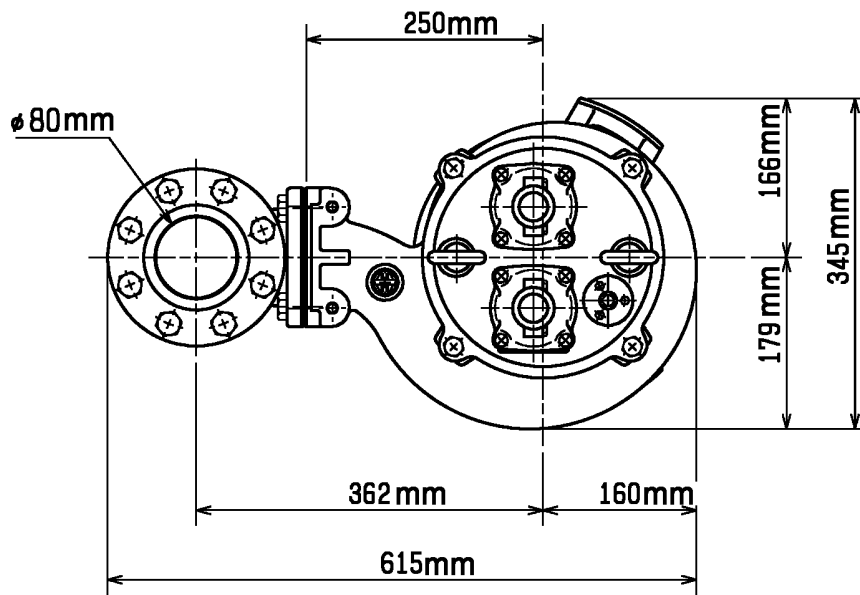
# Performance curve

## 80C211-CR-51

Discharge port	3"
Head	46.9 m
Flow	20.0 l/s
Rated power	11.00 kW
Power input	14.40 kW
Phases	3~
Voltages	400 V
Frequency	50 Hz
Rated current	23.7 A
Starting current	158.08 A
Number of poles	2
Speed	2935 1/min
Starting mode	Star-delta
Insulation class	F



# Dimensions 80C211-CR-51



**80C211-CR**

CWL: Continuous running water level  
LWL: Lowest running water level



Tsurumi Europe GmbH  
24.08.2011

Heltorfer Str. 14 \* 40472 Düsseldorf \* Germany  
Tel.: +49-211-4179373 sales@tsurumi.eu  
Fax: +49-211-4791429 www.tsurumi.eu

